



MFL/E

Mounting flange

Measuring size: -

Output: -

Highlights: aluminium, synthetic, incl. fastening screw



Description

The MFL/E mounting flanges can be used for mounting temperature sensors on air ducts, pipelines etc. Two materials are available to choose from: aluminium and synthetic.

Technical Specifications

Material	aluminium or synthetic
Dimensions	Aluminium flange: insideØ 6,2mm, outsideØ 40mm, Synthetic flange: insideØ 6,1 mm or 16,2 mm
Working temperature	Plastic flange: -20...+80°C, aluminum flange: -20...+600°C
Installation	screw fastening

Variants

Article Number		
Inside diameter	Material	Working temperature
MFL/E-A/16		
16,2 mm	aluminium	Tmax. +600°C
MFL/E-A/6		
6,2 mm	aluminium	Tmax. +600°C
MFL/E-K/16		
16,2 mm	flange: synthetic, screw: galvanised steel	Tmax. +80°C
MFL/E-K/6		
6,1 mm	flange: synthetic, screw: galvanised steel	Tmax. +80°C



Accessories



KF1/E
Duct temperature sensor with mounting flange



KF2/E
Duct temperature sensor with terminal head form J

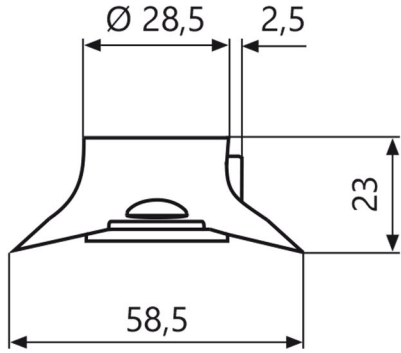


KS/E
Cable Temperature Sensor with Silicone Cable



Dimensional Drawing

MFL/E-K



MFL/E-A

