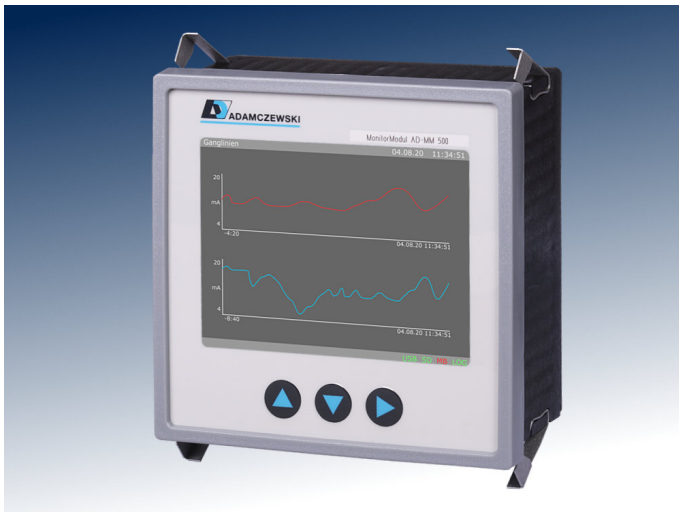


Description

The AD-MM 500 FE monitor module is a display device and data logger for front panel installation. The device always works as a Modbus master and retrieves the values to be displayed or logged cyclically from one or more Modbus slaves. The values can be any data such as measured values, output values, digital inputs or outputs or various counters for energy or quantities. The display is provided by freely configurable display elements such as numerical display, bar graph, time diagram, trailing indicator, LEDs, etc. The device is supplied with predefined standard display windows. The signals can be logged cyclically in the device's own memory. This data is saved as daily files on an internal micro SD card. They can be retrieved at any time using a USB stick or downloaded via the integrated web server. The device can be configured either via the web server or the AD-Studio configuration software. The configuration software is available free of charge on the ADAMCZEWSKI website.

Application

Display of freely definable values on a graphical display. Scroll through several display types. Visual signal monitoring with web browser. Logging of data for later evaluation.



Specific characteristics

- Connection of up to 32 Modbus slaves.
- 32 slave channels can be distributed to 1...32 Modbus slaves.
- 40 configurable display elements.
- All properties of the display elements such as color, size, position, labeling and type are configurable.
- 10 configurable displays with 1...12 display elements per display.
- Integrated web server.
- Convenient configuration of the displays via AD-Studio PC software.
- Buffered real-time clock.

Business data

Order number

AD-MM 500 FE

Information

Downloads

Instruction manual [man_mm500fe_ad_en.pdf](#)

Technical specifications

Supply

Supply voltage	20 ... 253 V DC
Supply voltage	50 ... 253 V AC
Max. power consumption	2,0W / 4,0VA

Housing

Dimensions (WxHxD)	96x96x63 mm
Front panel cut out	92x92 mm
Protection class panel	IP 54
Protection class connection	IP 20
Connection method	detachable terminal clamp
Manner of fastening	Panel-mount-case
Weight	250 g

Environmental conditions

Ambient temperature	-10 ... 50 °C
Storage and transport	-10 ... 70 °C (no condensation)
Pollution degree	2

EMC

Product family standard	EN 61326-1
Emitted interference	EN 55011, CISPR11 Cl. B, Gr. 1

Electrical safety requirements

Product family standard	EN 61010-1
-------------------------	------------

RS485-interface

Connection	3-pin socket 3.81mm grid
Standard	RS-485
Function	Modbus-Master
Protocol	Modbus-RTU
Max. attendance	32
Max. length of bus	100m - twisted, shielded cable
Bus termination	120 Ohm (both sites of the bus)

Configuration interface

Connection	3.5mm jack socket
Standard	UART, proprietary
Function	configuration

Network interface

Connection	RJ45 socket
Standard	Ethernet, 10/100 Mbit/s
Protocol	HTTP
Function	Web server, configuration, download

USB interface

Connection	Type A socket for USB stick
Standard	USB 1.0, 2.0
Function	Data transfer

Display

Type	3,5" TFT
Resolution	320x240 Pixel

Operation

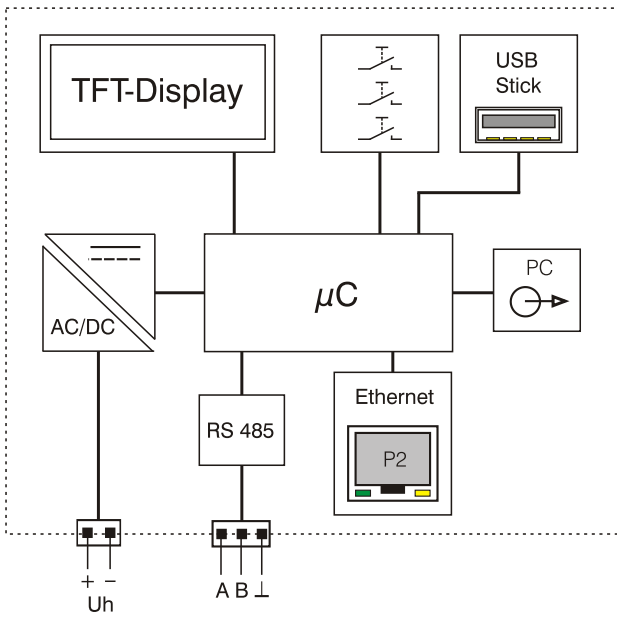
Type	3 short-stroke keys
------	---------------------

Data logger

Internal memory size	2 GB (andere auf Anfrage)
Internal storage medium	µSD, single level cell
Sampling interval	1s ... ~18h
Max. channels	32
Data format	*.csv



Block and wiring diagram



Dimensions

