

Technical data sheet

227S-230-05-P5
Rotary actuator

Description

Rotary actuator for adjusting dampers in HVAC installations

- Running time 20 s / 90°
- Torque 5 Nm
- Nominal voltage 230 VAC/DC
- Control 2-/3-point
- Feedback potentiometer P5 = 5 kΩ
- Damper size up to approx. 1 m²
- Damper coupling clamp
∅ 8-15 mm / Ø 8-20 mm



Technical data

Electrical data	Nominal voltage	230 VAC/DC, 50/60 Hz
	Nominal voltage range	85...265 VAC/DC
	Power consumption motor (motion)	3,5 W
	Power consumption standby (end position)	1,5 W
	Wire sizing	5,5 VA
	Control	2-/3-point
	Feedback signal	potentiometer P5 = 5 kΩ
	Auxiliary switch	-
	Contact load	-
	Switching point	-
	Connection motor	cable 1000 mm, 3 x 0,75 mm ² (halogen free)
	Connection feedback potentiometer	cable 1000 mm, 3 x 0,75 mm ² (halogen free)
	Connection auxiliary switch	-
	Connection GUAC	-
Functional data	Torque	5 Nm

Technical data

Functional data	Damper size	up to approx. 1 m ²
	Synchronized speed	±5%
	Direction of rotation	selected by switch
	Manual override	gearing latch disengaged with pushbutton, self-resetting
	Angle of rotation	0°...max. 95° can be limited with adjustable mechanical end stops
	Running time	20 s / 90°
	Sound power level	< 45 dB(A)
	Shaft coupling	clamp \varnothing 8-15 mm / \varnothing 8-20 mm
	Position indication	mechanical with pointer
	Service life	> 100 000 cycles (0°...95°...0°)
Safety	Protection class	II (double insulation)
	Degree of protection	IP 54 (cable downwards)
	EMC	CE (2014/30/EU)
	LVD	CE (2014/35/EU)
	RoHS	CE (2011/65/EU - 2015/863/EU - 2017/2102/EU)
	Mode of operation	Typ 1 (EN 60730-1)
	Rated impulse voltage	4 kV (EN 60730-1)
	Control pollution degree	3 (EN 60730-1)
	Ambient temperature normal operation	-30°C...+50°C
	Storage temperature	-30°C...+80°C
Ambient humidity	5...95% r.H., non condensing (EN 60730-1)	
Maintenance	maintenance free	
Dimensions / Weight	Dimensions	117 x 67 x 66 mm
	Weight	450 g

Functionality / Properties

Operating mode

2 point:
Connect power supply to wire 1+2, actuator drives to position 1. Is also wire 3 connected to the power supply, actuator drives to position 0.

3 point:
Connect power supply to wire 1+2, actuator drives to position 1. Is wire 1+3 connected to the power supply, actuator drives to position 0.

The actuator is overload-proof, requires no limit switches and automatically stops, when the end stop is reached.

Direct mounting

Simple direct mounting on the damper shaft with a clamp, protection against rotating with enclosed anti-rotation lock or rather at intended attachment points.

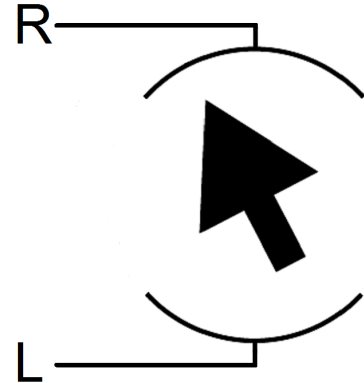
Manual override

Manual override with self-resetting pushbutton possible (the gear is disengaged as long as the button is pressed).

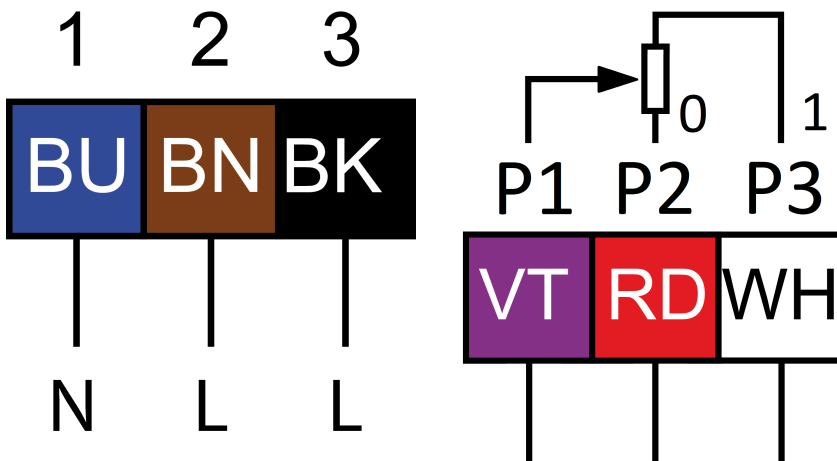
Mode switch

Mode switch with two positions at the housing:

R: rotary rotation right / clockwise
L: rotary rotation left / counter clockwise



Connector / Security Note



Safety remarks

- Caution: power supply voltage!
- The device is not allowed to be used outside the specified field of application, especially in airplanes.
- It may only be installed by suitably trained personnel. Any legal regulations or regulations issued by authorities must be observed during assembly.
- The device may only be opened at the manufacturer's site.
- The device is not allowed to be disposed of as household refuse. All locally valid regulations and requirements must be observed.
- When calculating the required torque, the specifications supplied by the damper manufacturer's (cross-section, design, installation site), and the air flow conditions must be observed.

Technical Drawing

